

Bybee Labs, Inc.

8390 East Via de Ventura F-110
Scottsdale, Arizona, 85258, USA
1-480-998-2880 | info@bybeelabs.com

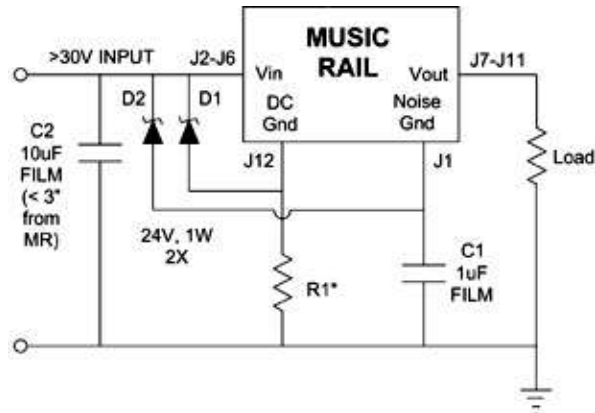
4/11/2011

MUSIC RAIL™ HIGH-VOLTAGE INFORMATION

With Music Rail™, all applications above 30V require High-Voltage adaptation.

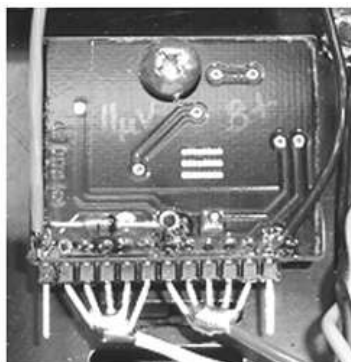
You will need --

1. One or more 20W resistors optimized for your app.
2. Two 24V, 1W zener diodes (high voltage clamps).
3. One 1uF, 630V polypropylene capacitor (noise drain).
4. Two terminal strips for mounting parts.
5. Bybee High-Voltage Power Supply

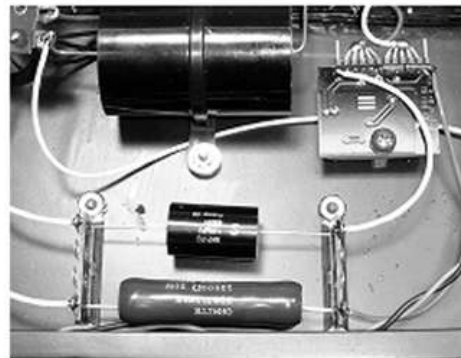


$$*R1 = (V_{in} - 24V) / (.005A + .0115A) = (D1 + \text{Music Rail current})$$

6. Typical layouts in photos below.



Diode location on PC board.



High-voltage parts mounted and wired.

MUSIC RAILS are manufactured in the U.S.A.
Printed in U.S.A.